



**THE ORIGINAL<sup>TM</sup>**  
**SAW COMPANY**

[www.originalsaw.com](http://www.originalsaw.com)

# Woodworking

Equipment for the  
Secondary wood processing market:  
Cabinet production, construction, packaging,  
prefab house manufacturing, industries

**Super Duty Series**  
**16" / 20"**  
**400/500mm**  
**Radial Arm Saw**

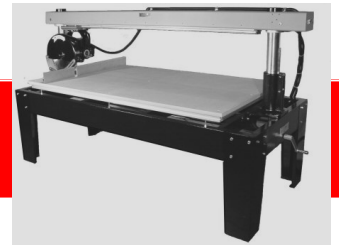


465 Third Ave SE | Britt, Iowa | 50423

800/733-4063 | 641/843-3868

[www.originalsaw.com](http://www.originalsaw.com)





Model 3558 Shown



# Super Duty Series



Precision rip scale—Standard



Miter Scale—Standard



Auto Return Attachment  
Standard on non chain fed  
machines



Bevel Stop—Standard

The Super Duty Series is the ultimate workhorse of the industry, capable of operating 2 to 3 shifts per day, and able to do a wide variety of cutoff and dado operations. These massive 850 pound machines are constructed of cast and ductile iron for vibration free operation. These machines are very versatile and capable of swiveling the arm for miter cuts and swiveling the motor for bevel cuts or any combination of both. The yoke also indexes at 90° to rotate and lock the motor into a rip position to allow the machine to rip down panels. These machines are found in a wide variety of manufacturing facilities, crating departments, timber home and prefabricated housing manufacturers, door companies, truss plants, etc.

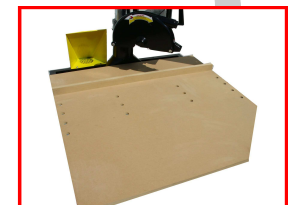
The entire Super Duty Series is better than ever with its improved finish, more durable powder coated castings and heavy steel frame. This machine, coupled with our new release power carriage feed accessories, make the machine a semi-automatic platform capable of a wide variety of production cutoff and dado operations.

## Optional Accessories

- Electronic Power Carriage Feed system
- Manual Adjustable backfence measuring systems
- Material Handling extension roller tables
- Material Handling flat extension tables
- Pneumatic material clamping tables
- Dust Collection Hoods

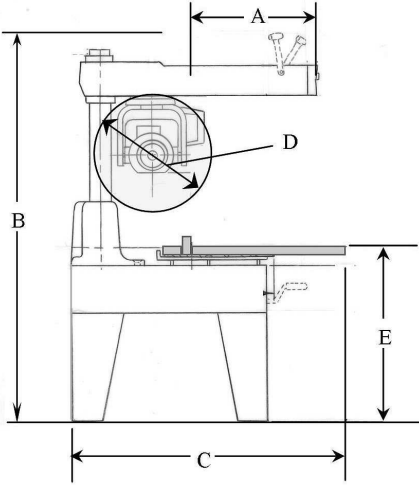
## Specifications

MODEL:	3551	3556	3571	3576	3553	3558
Arm	Medium	Long	Medium	Long	Medium	Long
Blade Size	16" / 400mm	16" / 400mm	16" / 400mm	16" / 400mm	20" / 500mm	20" / 500mm
<b>MOTOR: ALL MOTORS TOTALLY ENCLOSED FAN COOLED</b>						
HP	5	5	7.5	7.5	7.5	7.5
Phase	1	1	3	3	3	3
Hertz	60	60	50/60	50/60	50/60	50/60
Volts *	230	230	230/460 *	230/460 *	230/460 *	230/460 *
Amp (FLA)	28	28	19 / 9.5	19 / 9.5	19 / 9.5	19 / 9.5
Watts	3.7	3.7	5.6	5.6	5.6	5.6
Brake	automatic	automatic	automatic	automatic	automatic	automatic
Arbor	1" x 3 1/8"	1" x 3 1/8"	1" x 3 1/8"	1" x 3 1/8"	1" x 3 1/8"	1" x 3 1/8"
<b>CAPACITIES: inches / metric</b>						
Maximum Out-Rip	40 3/4" / 1035mm	48 3/4" / 1238mm	40 3/4" / 1035mm	48 3/4" / 1238mm	40 3/4" / 1035mm	48 3/4" / 1238mm
Max Cross Cut 1" Stock	24" / 609mm	32" / 812mm	24" / 609mm	32" / 812mm	24" / 609mm	32" / 812mm
Max Cross Cut 4"						
Max Miter 45° 1" Stock	16" / 406mm	21 5/8" / 549mm	16" / 406mm	21 5/8" / 549mm	16" / 406mm	21 5/8" / 549mm
Max Depth of Cut	4 3/8" / 111mm	4 3/8" / 111mm	4 3/8" / 111mm	4 3/8" / 111mm	6 1/4" / 158mm	6 1/4" / 158mm
Max Depth of Cut 45° Bevel	2" / 50mm	2" / 50mm	2" / 50mm	2" / 50mm	3 1/4" / 82mm	3 1/4" / 82mm



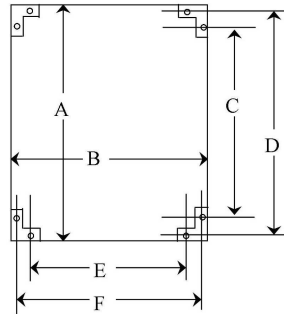
# Dimensions

## Super Duty Series



Index #	A	B	C	D	E
<b>Model#</b>					
3551	24" / 609mm	64" / 1626mm	51" / 1296mm	16" / 400mm	33" / 839mm
3556	32" / 813mm	64" / 1626mm	59" / 1500mm	16" / 400mm	33" / 839mm
3571	24" / 609mm	64" / 1626mm	51" / 1296mm	16" / 400mm	33" / 839mm
3576	32" / 813mm	64" / 1626mm	59" / 1500mm	16" / 400mm	33" / 839mm
3553	24" / 609mm	64" / 1626mm	51" / 1296mm	20" / 500mm	33" / 839mm
3558	32" / 813mm	64" / 1626mm	59" / 1500mm	20" / 500mm	33" / 839mm
3554	23" / 584mm	64" / 1626mm	51" / 1296mm	20" / 500mm	33" / 839mm
3559	31" / 787mm	64" / 1626mm	59" / 1500mm	20" / 500mm	33" / 839mm

Index	Dimensions
A	48" / 1220mm
B	36" / 915mm
C	36.25" / 921mm
D	46.5" / 1182mm
E	24.25" / 616mm
F	34.5" / 877mm



**OSC**  
ORIGINAL SAW COMPANY™



465 Third Ave SE | Britt, Iowa | 50423

800/733-4063 | 641/843-3868

[www.originalsaw.com](http://www.originalsaw.com)