



**THE ORIGINAL<sup>TM</sup>**  
**SAW COMPANY**

[www.originalsaw.com](http://www.originalsaw.com)

## Woodworking

Equipment for the  
Secondary wood processing market:  
Cabinet production, construction, packaging,  
prefab house manufacturing, industries

Heavy Duty Series  
14" / 16"  
350/400mm  
Radial Arm Saw

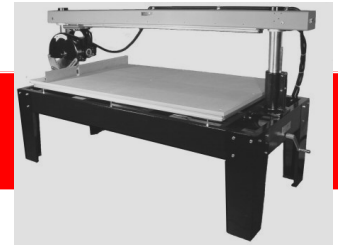


465 Third Ave SE | Britt, Iowa | 50423

800/733-4063 | 641/843-3868

[www.originalsaw.com](http://www.originalsaw.com)





Model 3546 Shown



Carriage Return Reel



Miter lock and latch controls



OSC Manufactured arbor motor w/ brake



# Heavy Duty Series



**Rip Index knob and pin**



**Base Clamp Medium arm models only**



**Rip Lock knob, 'in rip' & 'out rip' pointers**



**Standard Elevating Crank**

The Heavy Duty Series is a very precise machine made for the rigors of every day industrial use. Their versatility makes them well suited for use in custom cabinet shops, school tech departments, lumber yards and home centers, packaging departments, and manufacturing plants. This flexibility is because of their ability to perform straight cuts, bevel cuts, miter cuts and compound bevels, as well as swiveling to rip down panels. They are also precise enough for squaring panels up to 24" wide. Other operations such as dadoing panels are done with ease because of their OSC manufactured flat bottom induction motor.

From this flat bottom motor to its heavy cast iron arm, and through out its heavy gauge steel powder coated frame and legs to its oversized table top our Heavy Duty Series radial arm saws say quality, repeatability, accuracy, and value. Our machines have proven themselves in thousands of manufacturing companies through out the world. These machines are built for everyday repeatability and accuracy and will be able to support any application that they are designed to do, for years to come.

## Optional Accessories

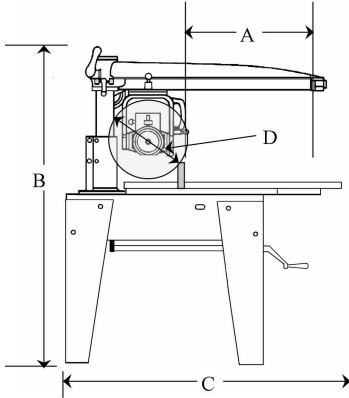
- Front lower elevation system
- Manual Adjustable measuring systems
- Material Handling roller tables
- New Table and fence clamping system
- Dust Collection Hoods

## Specifications

MODEL:	3531-01	3531-03	3536-01	3536-03	3541	3546
Arm	Standard	Standard	Medium	Medium	Standard	Medium
Blade Size	14" / 350 mm	14" / 350 mm	14" / 350 mm	14" / 350 mm	16" / 400mm	16" / 400mm
<b>MOTOR: ALL MOTORS TOTALLY ENCLOSED FAN COOLED</b>						
HP	3	5	3	5	5	5
Phase	1	3	1	3	3	3
Hertz	60	50/60	60	50/60	50/60	50/60
Volts *	230	208/230/460	230	208/230/460	208/230/460	208/230/460
Amp (FLA)						
Watts						
Brake	automatic	automatic	automatic	automatic	automatic	automatic
Arbor	1" x 2 3/16"	1" x 2 3/16"	1" x 2 3/16"	1" x 2 3/16"	1" x 2 3/16"	1" x 2 3/16"
<b>CAPACITIES: inches / metric</b>						
Maximum Out-Rip	29.875 / 758 mm	29.875 / 758 mm	37 7/8 / 962 mm	37 7/8 / 962 mm	29.875 / 758 mm	37 7/8 / 962 mm
Max Cross Cut 1" Stock	16" / 406 mm	16" / 406 mm	24" / 609 mm	24" / 609 mm	16" / 406 mm	24" / 609 mm
Max Miter 45° 1" Stock	10 7/8" / 276 mm	10 7/8" / 276 mm	15 1/2" / 393 mm	15 1/2" / 393 mm	10 7/8" / 276 mm	15 1/2" / 393 mm
Max Depth of Cut	4 1/8" / 104 mm	4 1/8" / 104 mm	4 1/8" / 104 mm	4 1/8" / 104 mm	4 15/16" / 125 mm	4 15/16" / 125 mm
Max Depth of Cut 45° Bevel	1 3/4" / 44 mm	1 3/4" / 44 mm	1 3/4" / 44 mm	1 3/4" / 44 mm	2" / 50 mm	2" / 50 mm

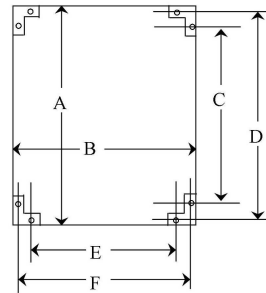
# Dimensions

## Heavy Duty Series



Index #	A	B	C	D
Model#	Crosscut	Height	Depth	Blade
3531-01	16" / 406mm	60" / 1524mm	44" / 1117mm	14" / 350 mm Dia
3536-01	24" / 609mm	60" / 1524mm	47" / 1193mm	14" / 350 mm Dia
3531-03	16" / 406mm	60" / 1524mm	44" / 1117mm	14" / 350 mm Dia
3536-03	24" / 609mm	60" / 1524mm	47" / 1193mm	14" / 350 mm Dia
3541	16" / 406mm	61" / 1550mm	44" / 1117mm	16" / 400 mm Dia
3546	24" / 609mm	61" / 1550mm	47" / 1193mm	16" / 400 mm Dia

Index	Dimensions
A	44" / 1117 mm
B	33" / 839 mm
C	38 3/4" / 985 mm
D	42 1/2" / 1080 mm
E	27 3/4" / 705 mm
F	31 1/4" / 794 mm



**OSC**  
 ORIGINAL SAW COMPANY



465 Third Ave SE | Britt, Iowa | 50423

800/733-4063 | 641/843-3868

[www.originalsaw.com](http://www.originalsaw.com)