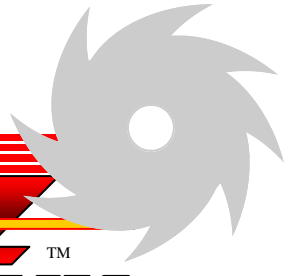


THE ORIGINALTM
SAW COMPANY

www.originalsaw.com



Woodworking

Equipment for the
Secondary wood processing market:
Cabinet production, construction, packaging,
prefab house manufacturing, industries

3512 Series
12" / 300mm
Radial Arm Saw

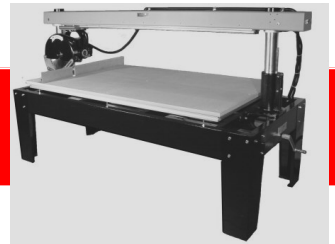


465 Third Ave SE | Britt, Iowa | 50423

800/733-4063 | 641/843-3868

www.originalsaw.com





Model 3512-01 Shown



Bevel clamp and pointer



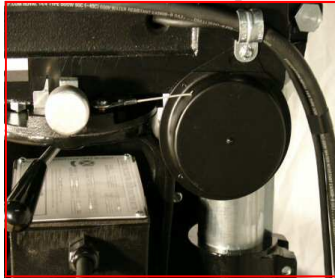
OSC Manufactured arbor motor w/ brake



Contractor Duty Series



Standard guard assembly



Carriage return reel



Rip Lock knob



Elevating handle

Contractor Duty Series is a precise industrial rated machine that is very versatile; with the ability to crosscut, bevel cut, miter cut, and swivel to a rip position to cut down panels. These machines are well suited for cutting off up to 3" material, as well as cutting off 24" wide panels for squaring shelving and doors or any other similar application. These machines are found in small lumber yards, custom cabinet shops, schools, contractor shops, crating departments, or anywhere smaller material is being cut off, miter cut, bevel cut, panels sized or dado work is being done.

The Contractor Series continues to be a workhorse with its OSC manufactured totally enclosed fan cooled motor with internal automatic brake, as well as a new, more durable finish with its powder coated castings and frame. This series gives the best cut quality in its class and is a very precise cutting machine with repeatable accuracy that can be depended on day after day for years to come.

Optional Accessories

- Manual Adjustable measuring systems
- Material Handling roller tables
- Material Handling extension tables
- Dust Collection Hoods

Specifications



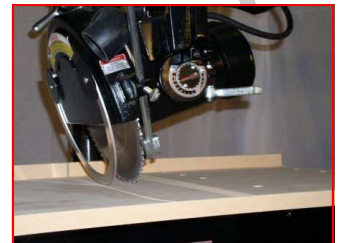
45° Bevel Ripping



Cross Cutting

MODEL:	3512-01	3512-03
Arm	Medium	Medium
Blade Size	12" / 305 mm	12" / 305 mm
MOTOR: ALL MOTORS TOTALLY ENCLOSED FAN COOLED		
HP - continuous rating	2	3
HP - maximum rating	4	6.5
Phase	1	3
Hertz	60	50/60
Volts	230	208/230/460
Brake	automatic	automatic
Arbor	1" x 2 3/16"	1" x 2 3/16"

CAPACITIES: inches/metric		
Maximum Out-Rip (fence in rear)	34 15/16" / 887 mm	34 15/16" / 887 mm
Max Cross Cut 1" Stock	24 1/4" / 615 mm	24 1/4" / 615 mm
Max Cross Cut 3" Stock	21 1/4" / 539 mm	21 1/4" / 539 mm
Max Miter 45° 1" Stock	16" / 406mm	16" / 406mm
Max Depth of Cut	3 1/16" / 77mm	3 1/16" / 77mm
Max Depth of Cut 45° Bevel	1 1/4" / 31 mm	1 1/4" / 31 mm



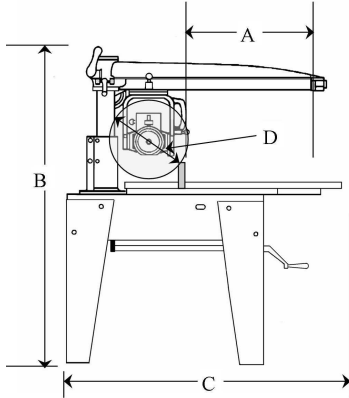
10° Bevel Cutting



Ripping

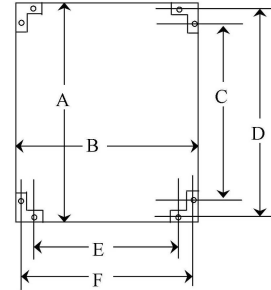
Dimensions

Contractor Duty Series



Index #	A	B	C	D
Model#	Crosscut	Height	depth	Blade Size
3512-01	24" / 609mm	53" / 1346mm	37.25" / 946mm	12" / 300mm Dia
3512-03	24" / 609mm	53" / 1346mm	37.25" / 946mm	12" / 300mm Dia

Index	Dimensions
	Footprint
A	34" / 863mm
B	26" / 661mm
C	29 1/2" / 750mm
D	32 7/8" / 835mm
E	20 5/8" / 524mm
F	24 3/8" / 619mm



465 Third Ave SE | Britt, Iowa | 50423

800/733-4063 | 641/843-3868

www.originalsaw.com